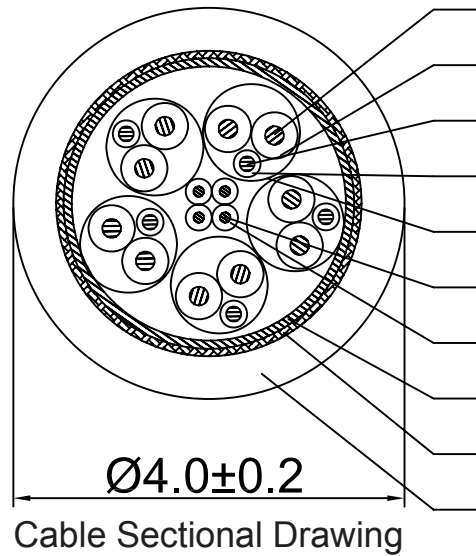
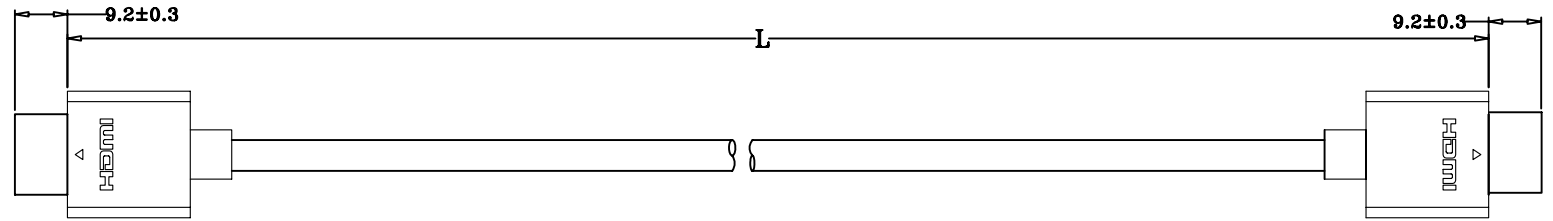


# HDS-XX



- Conductor1: 7/0.05 tin-plated copper (36AWG)
- Insulation1: Foamed-Skin-PE Ø0.40±0.05 5Pairs
- Drain1: 7/0.05 tin-plated copper
- Insulation2: HDPE Ø0.30±0.05
- Shielding1: Aluminium foil+Mylar
- Conductor2: 7/0.05 tin-plated copper
- Insulation2: HDPE Ø0.40±0.05 4C
- Shielding2: Aluminium foil
- Shielding3: Braiding tin-plated copper
- Jacket: PVC Black

Model#	L±T
HDS - 1.5	500±15
HDS - 3	1000±20
HDS - 6	1800±30
HDS - 8	2500±30