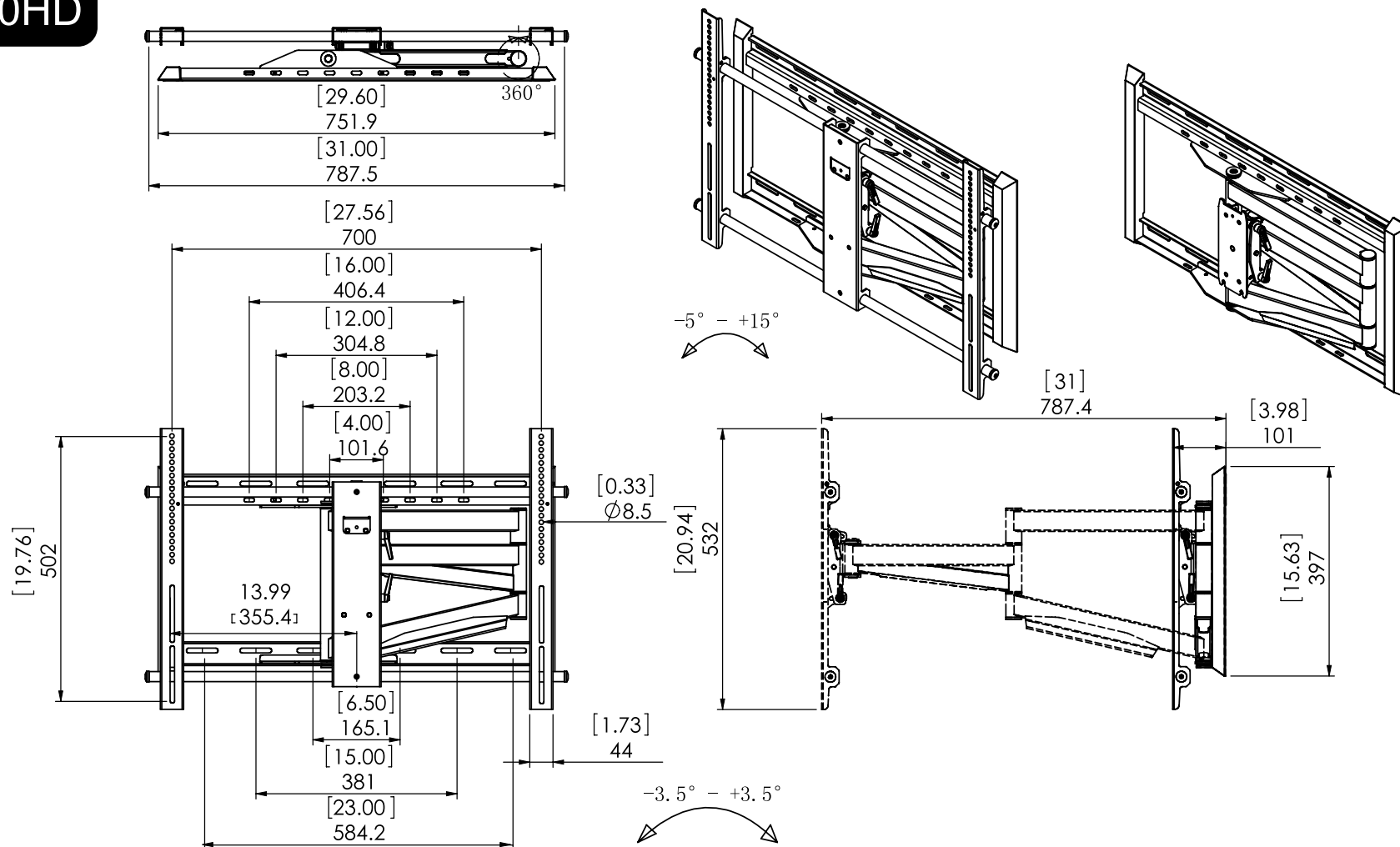


ARM3780HD



BRKT
B R A N D

WWW.BRKTBRAND.COM

NOTES: UNLESS OTHERWISE SPECIFIED

1. VESA STANDARD COMPATABILITY (WIDTH X HEIGHT): 200X100 / 200X200 / 200X400 / 300X400 / 400X400 / 600X400 / 700X500
2. MAXIMUM VESA MOUNTING CONFIGURATION: 700X500 MM
3. SCREEN SIZE COMPATABILITY: MOST 37"-80" SCREENS
4. MAXIMUM WEIGHT CAPACITY: 150 LBS (68 KG)
5. PRODUCT COLOR: BLACK
6. VIEWING ANGLE INCREMENTS: -3.5° , $+3.5^\circ$, $+5^\circ$, $+15^\circ$